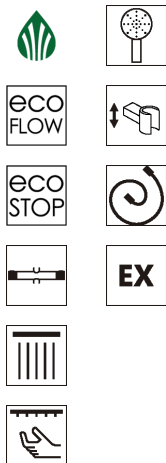


Bathroom Taps



SMART

Description

Thermostatic shower column with built-in wax thermoelement, spout, shower head, rail with slider hand shower bracket and hand shower. Connections of 1/2" and a distance of 150±15mm between them. It includes a non-return valve. The flow rate at 3 bar of the hand shower is 8,7 l/min, of the shower head 8,4 l/min and of the spout 22,6 l/min.

Finish

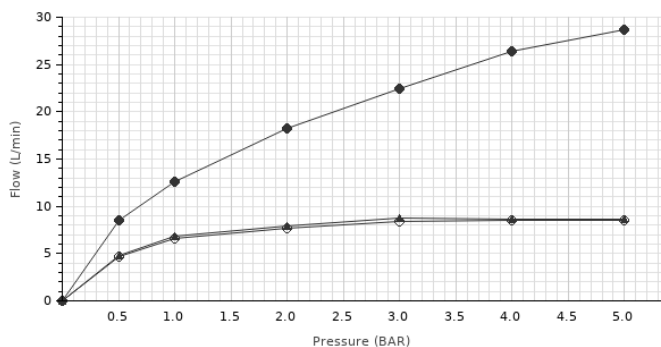


chrome
100320572

Flow rate diagramme

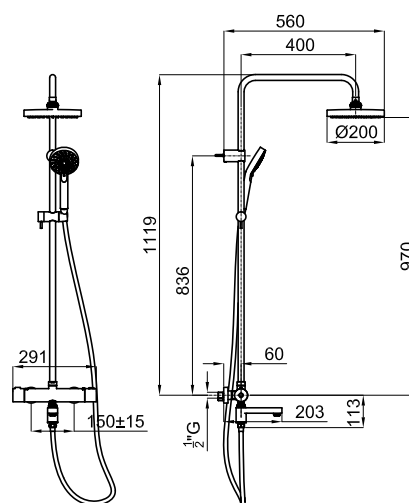
Pressure (bar)	0	0.5	1	2	3	4	5
Flow - SPOUT (l/min) (±15%)	0	8.51	12.65	18.27	22.47	26.34	28.73
Flow - Handshower (l/min) (±15%)	0	4.85	6.8	7.9	8.7	8.6	8.6
Flow - Rain (l/min) (±15%)	0	4.64	6.62	7.7	8.38	8.51	8.54

◆ SPOUT (l/min) ▲ Handshower (l/min) ⇨ Rain (l/min)



Technical drawing

Dimensions in mm



noken
PORCELANOSA BATHROOMS

Warranty: For a warranty or other information on this product, visit our Web address: www.noken.com

Legal disclaimer: All details provided by the NOKEN's Product has an information purpose without any contractual value. In order to obtain further information about the materials and their installation please visit our showrooms. NOKEN reserves the right to modify or delete any information on this site. The images and colours shown in this site may differ from the real ones.

© 2023 noken | Edition: 23/12/2023 INT Ref.104433